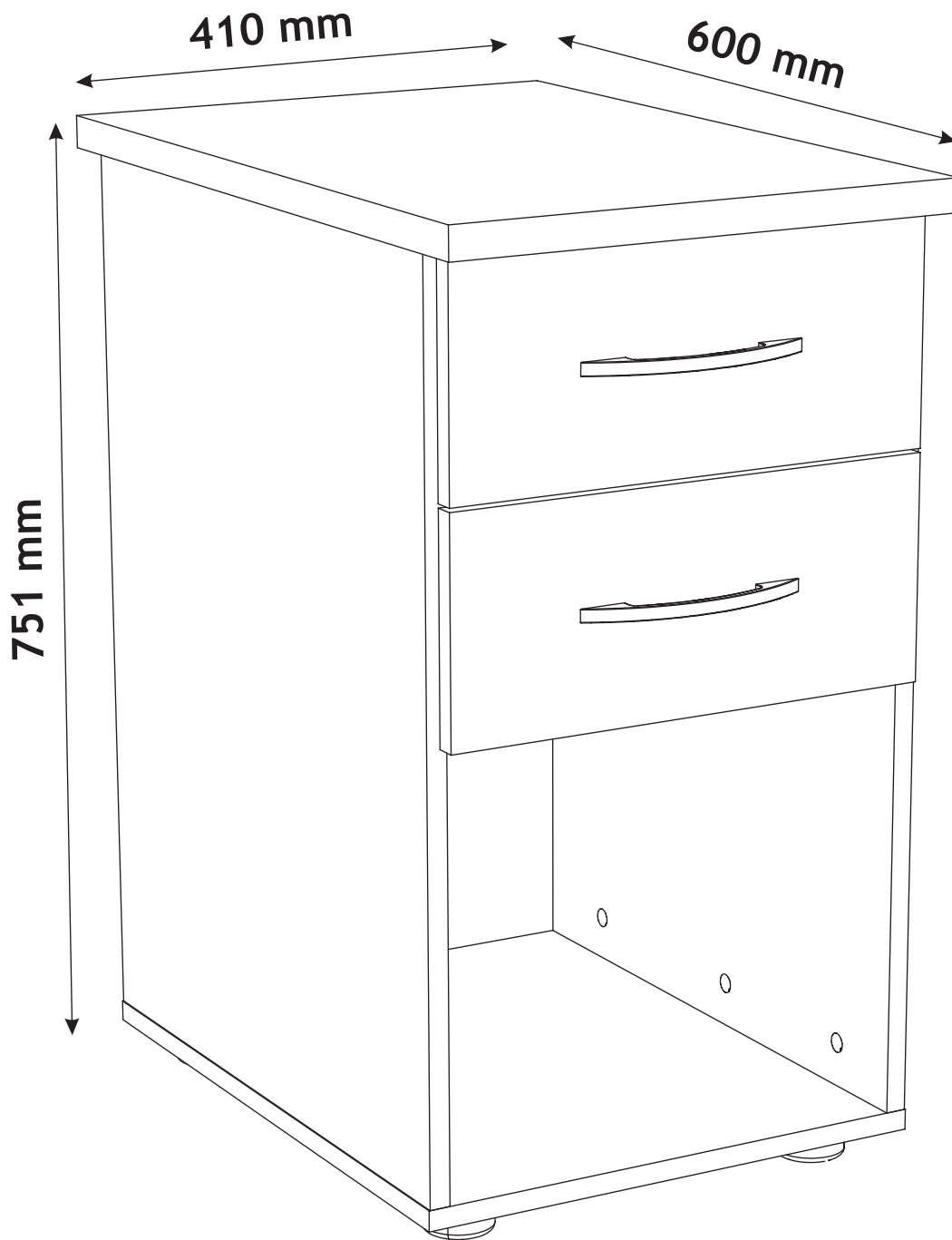


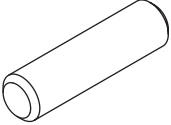
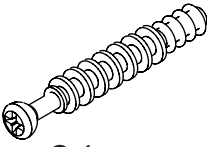
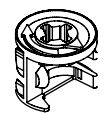
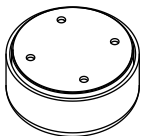
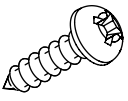
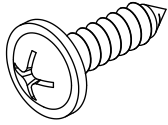
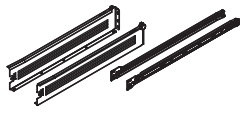
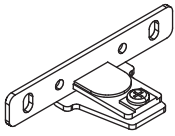
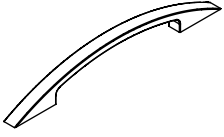
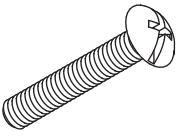
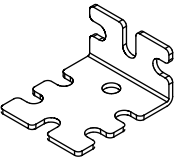
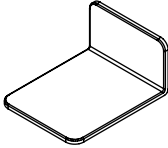

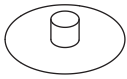
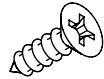
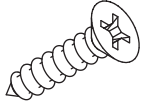
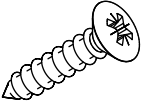
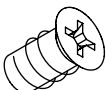
10-2844-...

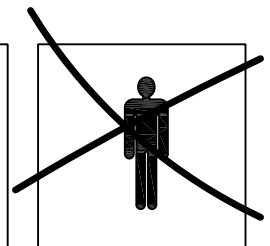
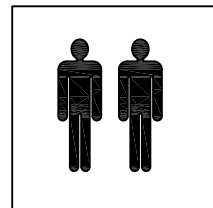
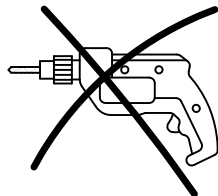
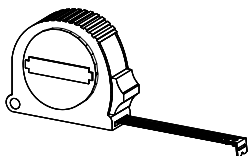
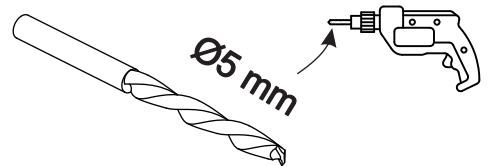
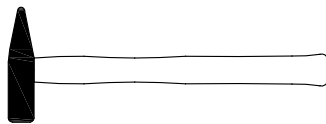
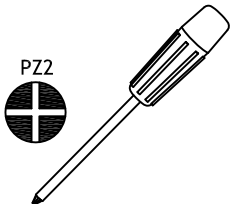
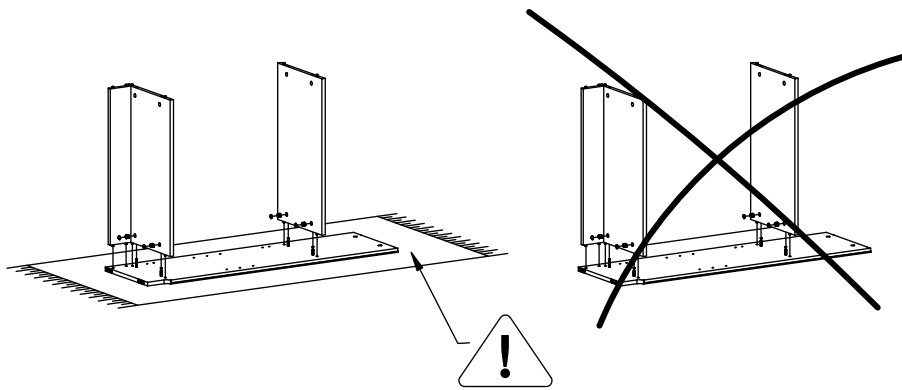


mebeles.lv

mebeles.ee

baldaibs.lt

B2 x 16  Ø8x30	C1 x 12  34 mm	D1 x 12  Ø15x12	X12 x 4  54x23	K4x16  Ø4x15	K14x12  Ø4.2x16
W14 x 2  500x86 mm	W15 x 4  86,118,150 mm	R23 x 2 	J22 x 4  M4x20	L21 x 2 	L22 x 2 
X15 x 8  Ø8/5	D3 x 12  Ø17	F0 x 20  Ø3.5x9.5	F2 x 4  Ø3.5x15	F9 x 8  Ø3.5x15	O15 x 16  Ø5/7x8

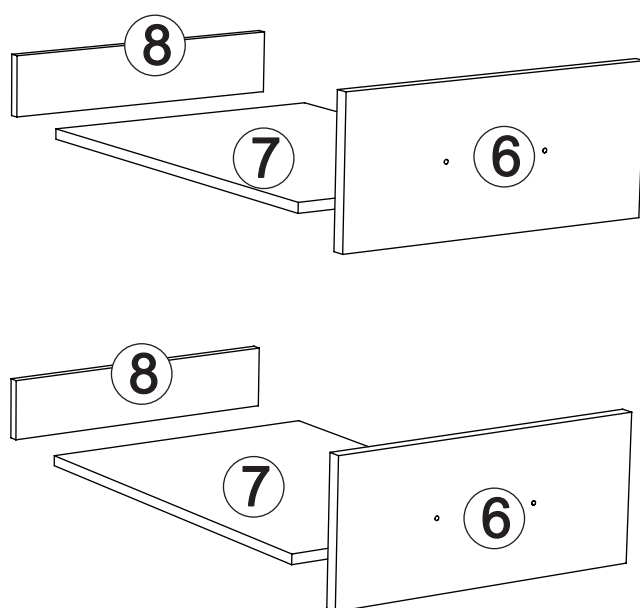
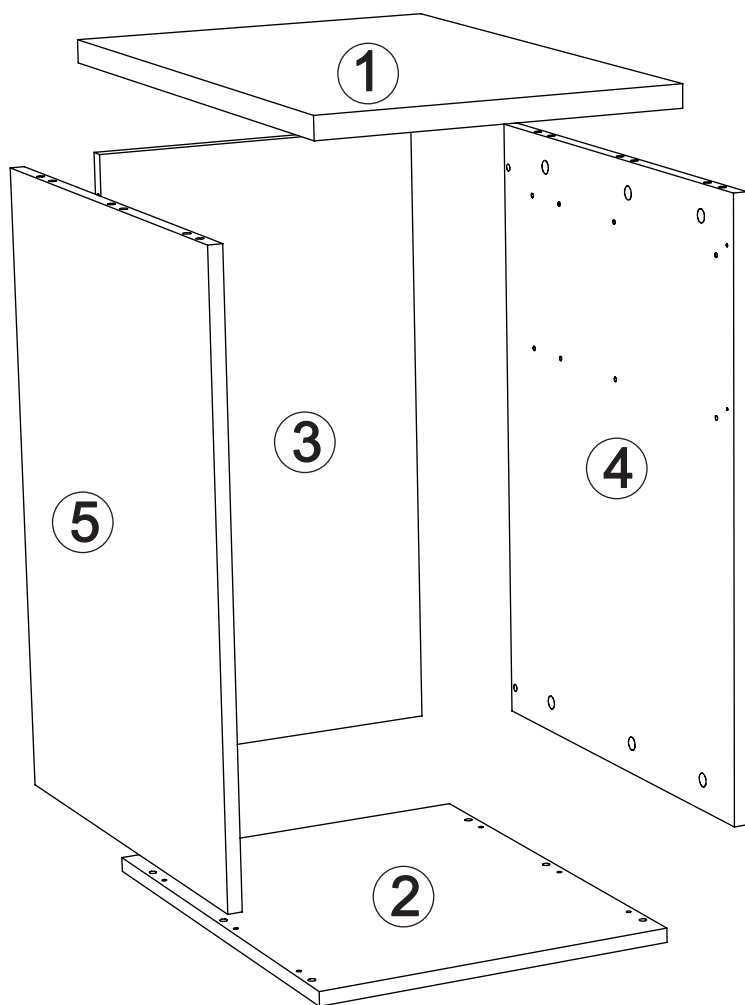


10-2844

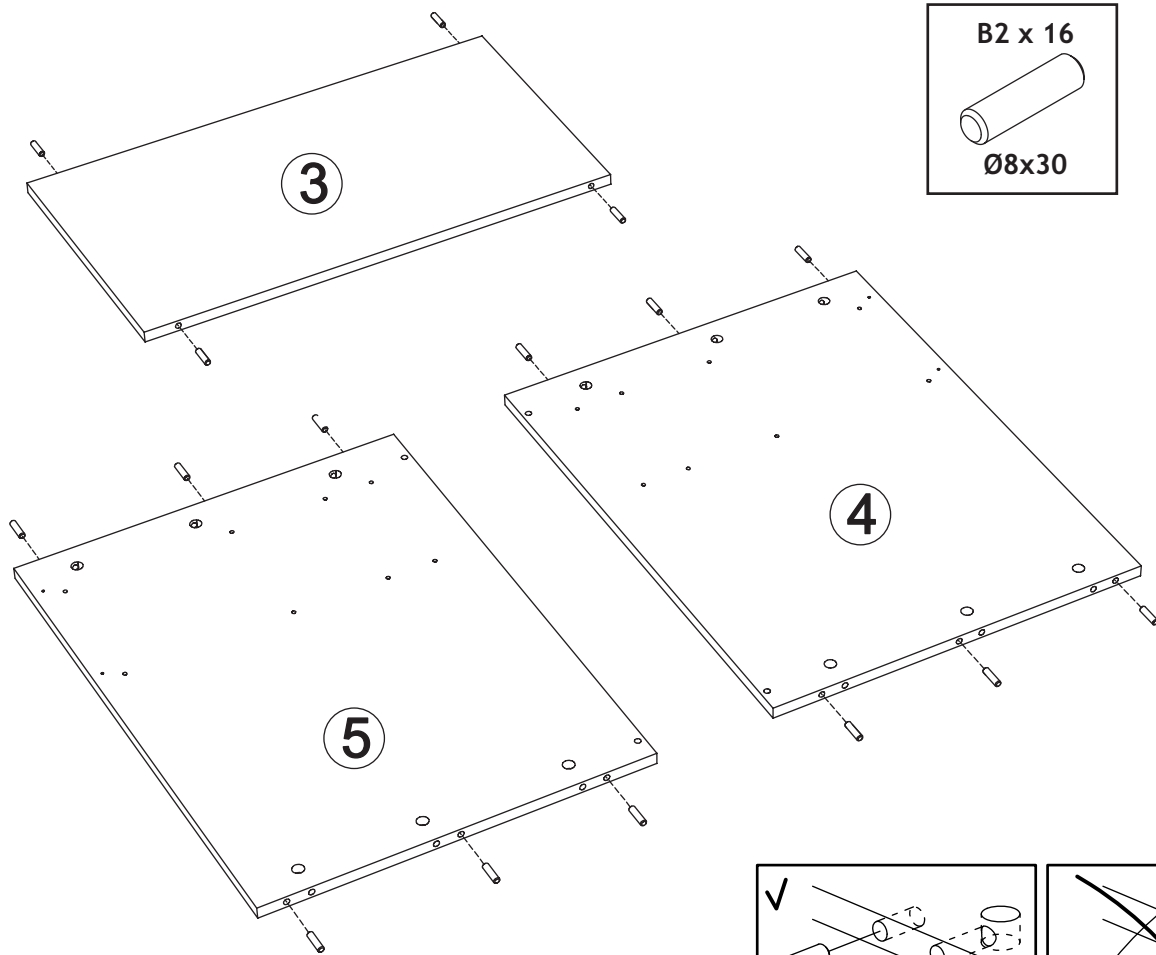
2 - 9

V-3./21.04.2018

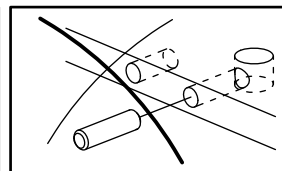
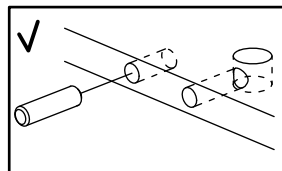
①	1	600 x 410 x 25 mm
②	1	520 x 408 x 16 mm
③	1	686 x 374 x 16 mm
④	1	686 x 520 x 16 mm
⑤	1	686 x 520 x 16 mm
⑥	2	386 x 171 x 16 mm
⑦	2	499 x 343 x 12 mm
⑧	2	343 x 72 x 12 mm



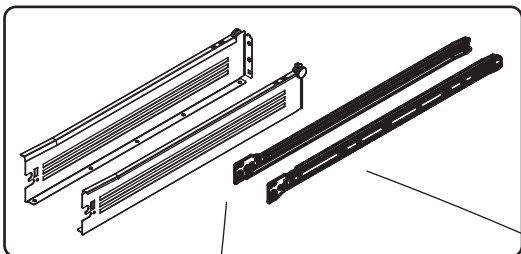
1



B2 x 16
Ø8x30



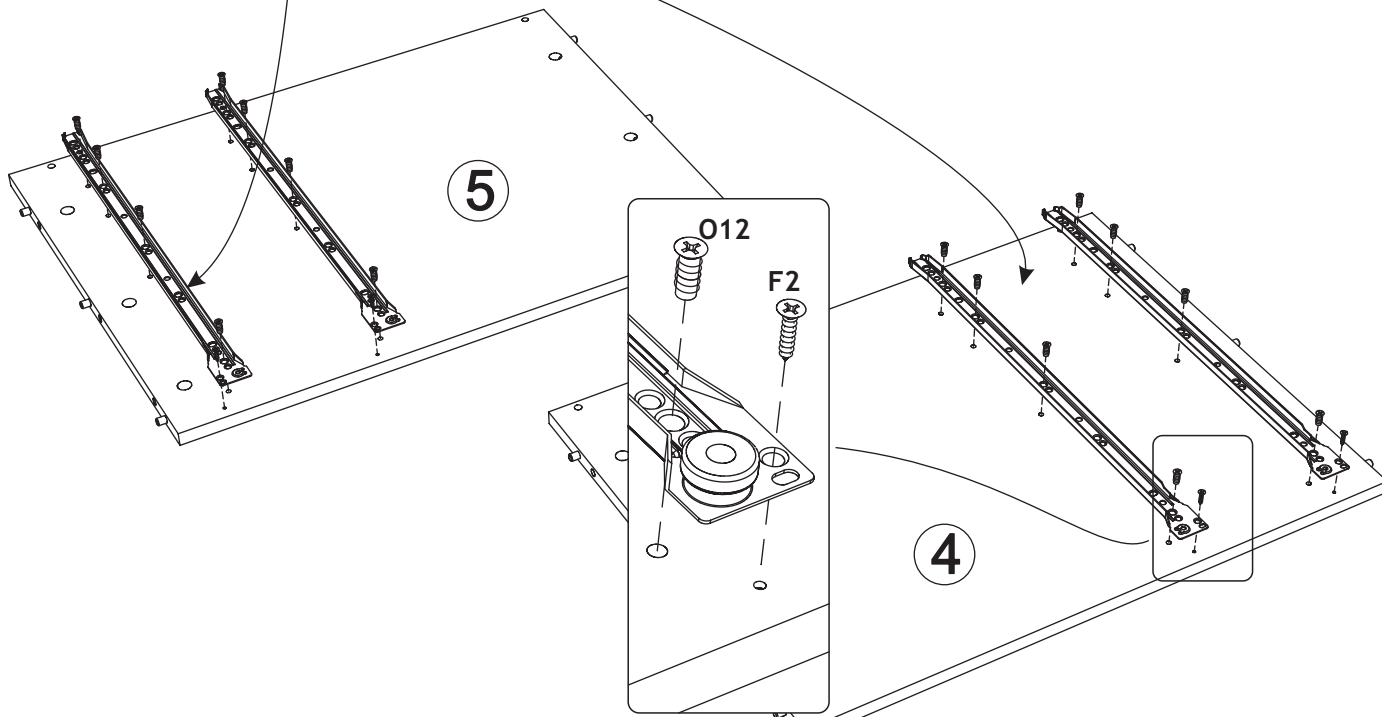
2



W14 x 2
500x86 mm

F2 x 4
Ø3.5x15

O15 x 16
Ø5/7x8

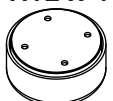
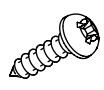


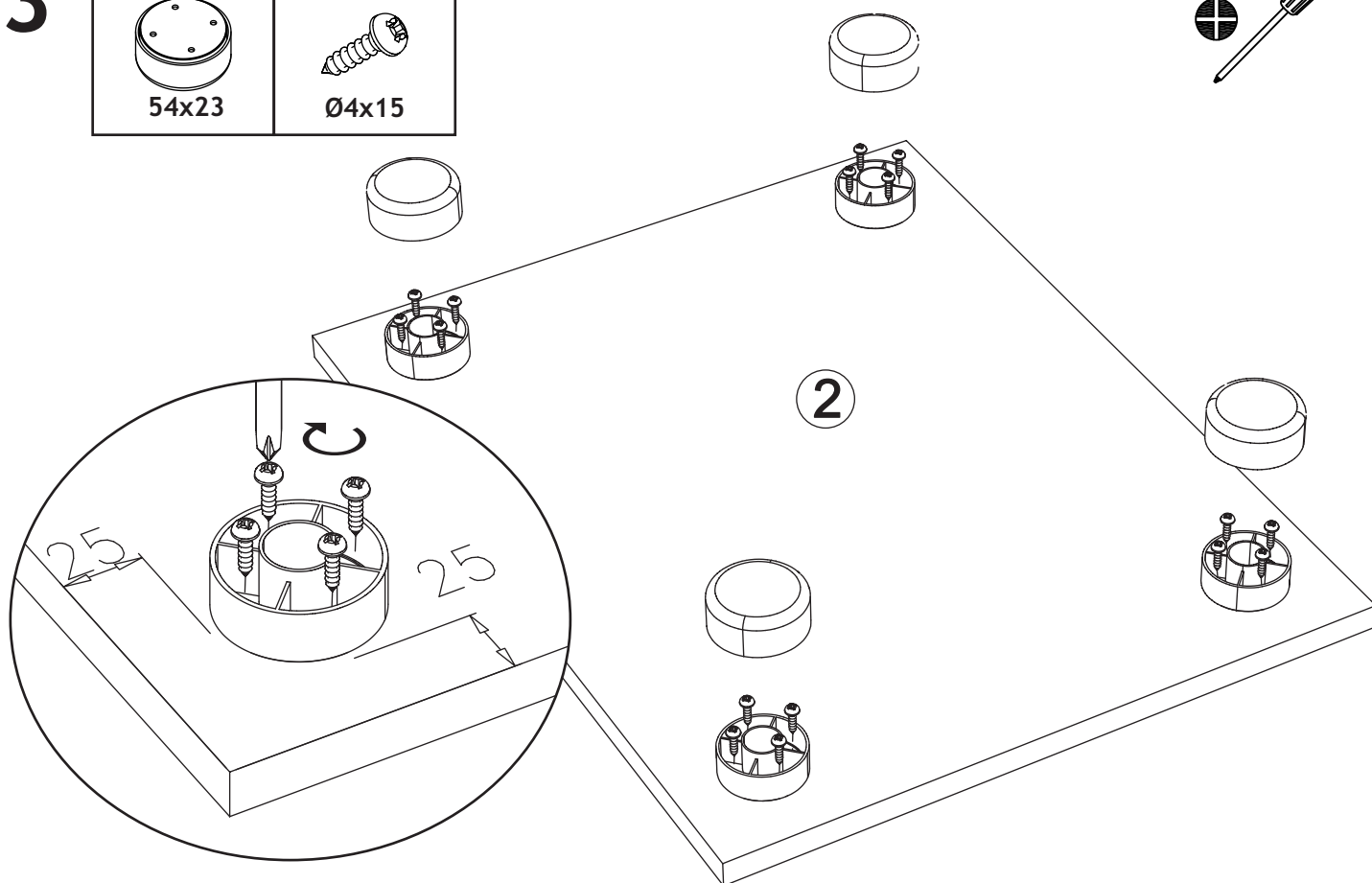
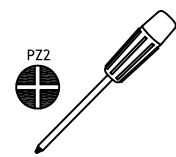
10-2844

4 - 9

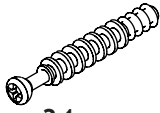
V-3./21.04.2018

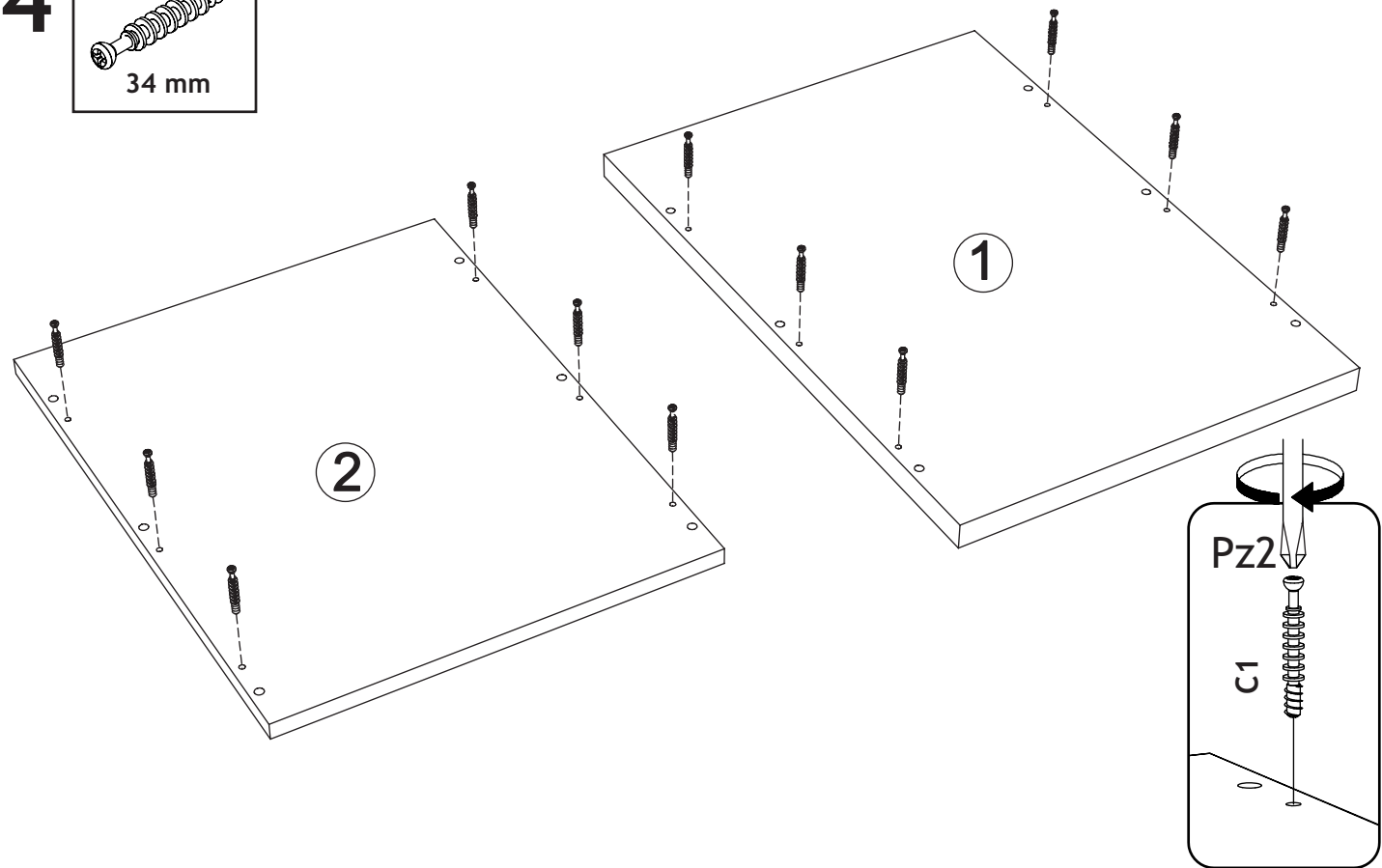
3

X12 x 4  54x23	K4x16  Ø4x15
---	---

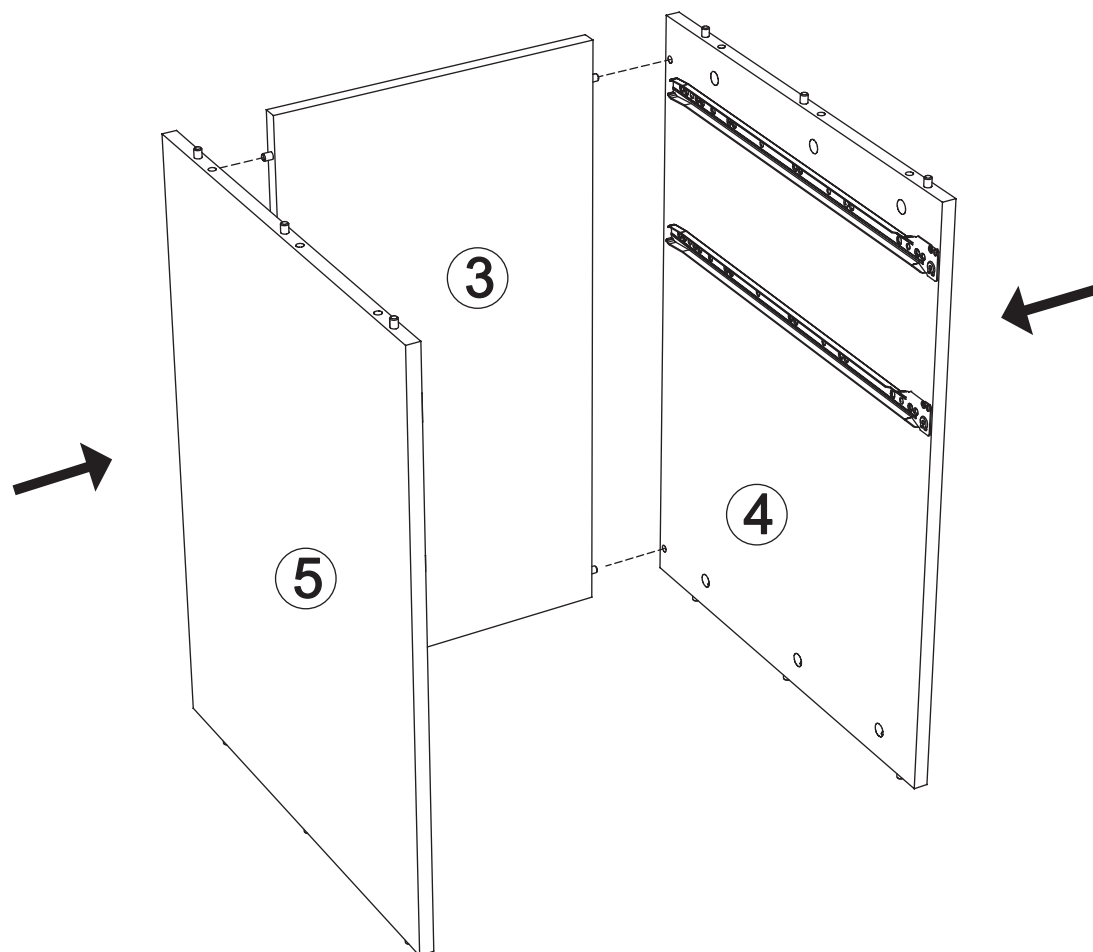


4

C1 x 12  34 mm



5



6

D1 x 12

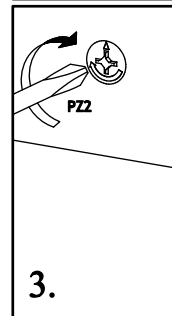
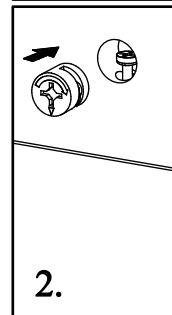
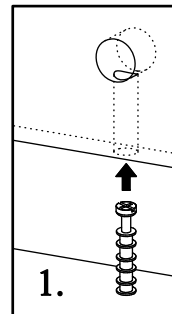
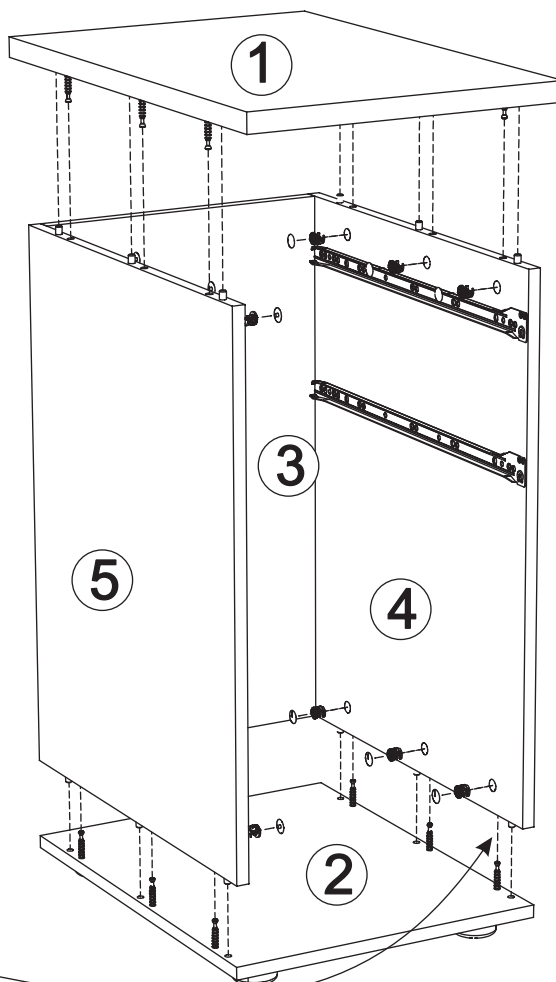
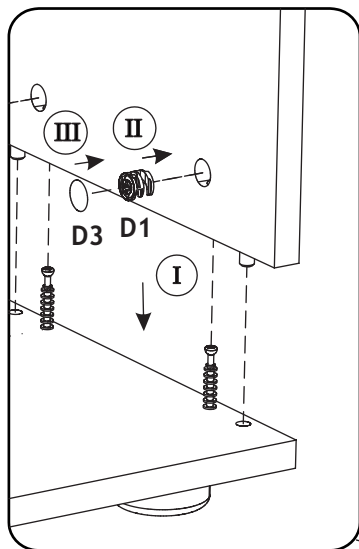


Ø15x12

D3 x 12



Ø17



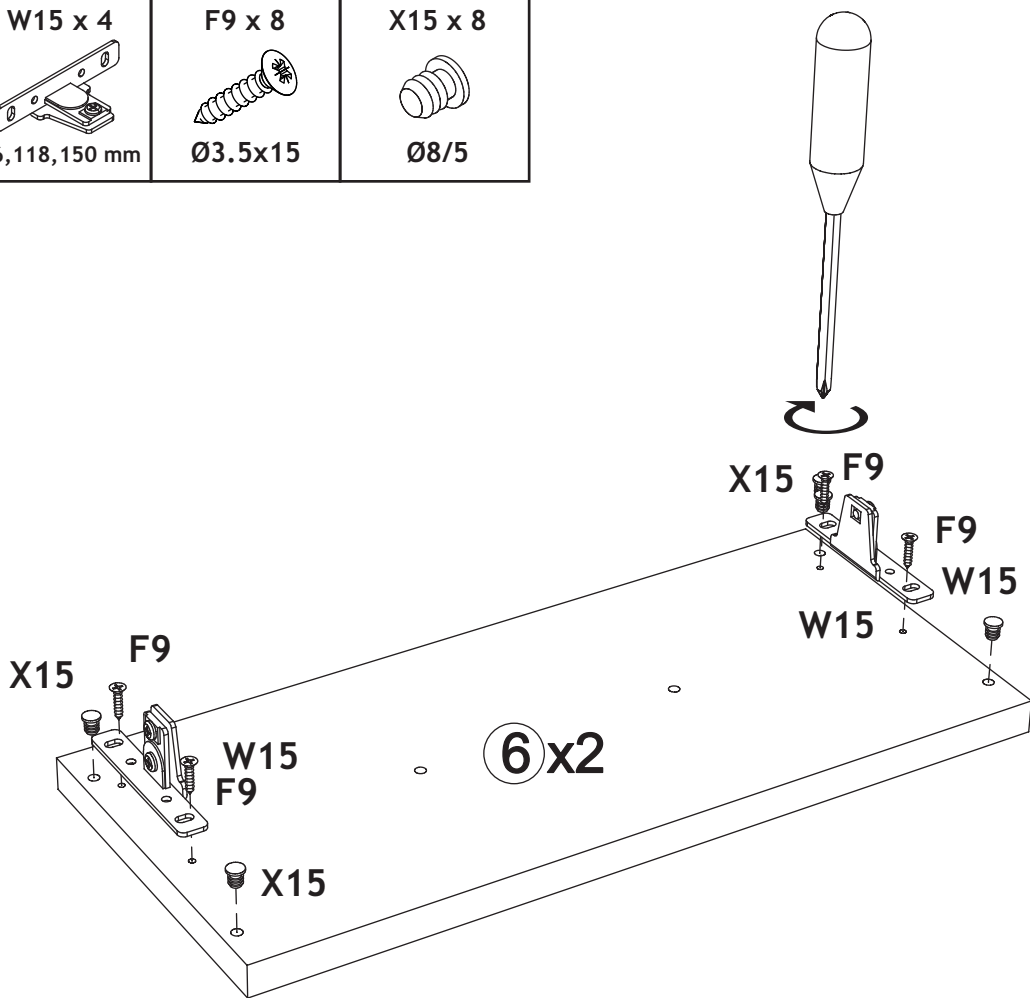
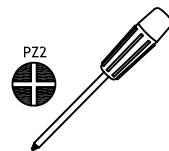
10-2844

6 - 9

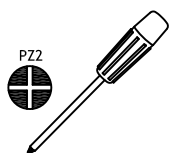
V-3./21.04.2018

7

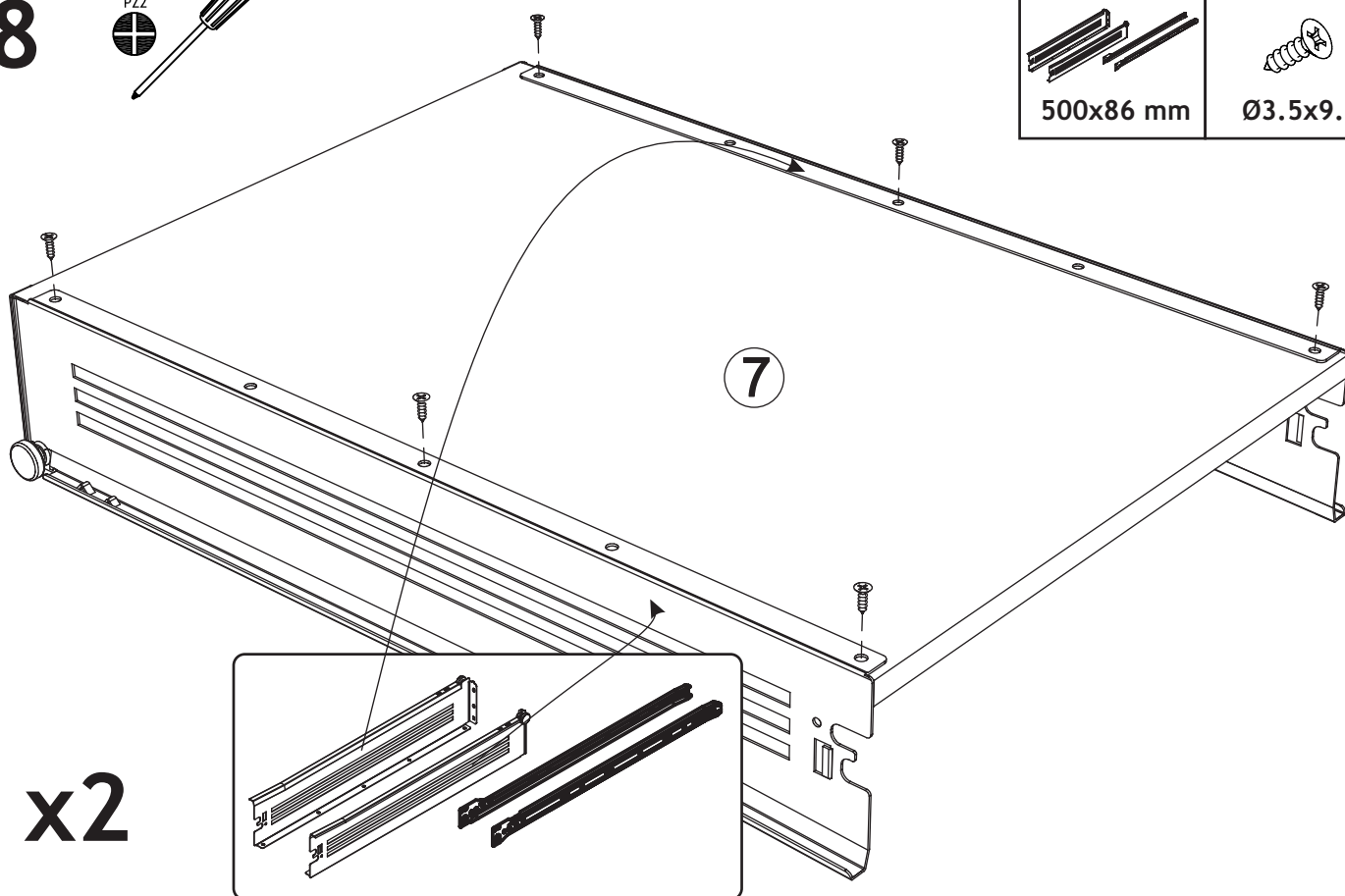
W15 x 4 86, 118, 150 mm	F9 x 8 Ø3.5x15	X15 x 8 Ø8/5
---------------------------------------	------------------------------	----------------------------



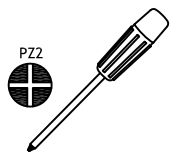
8



W14 x 2 500x86 mm	F0 x 12 Ø3.5x9.5
---------------------------------	--------------------------------



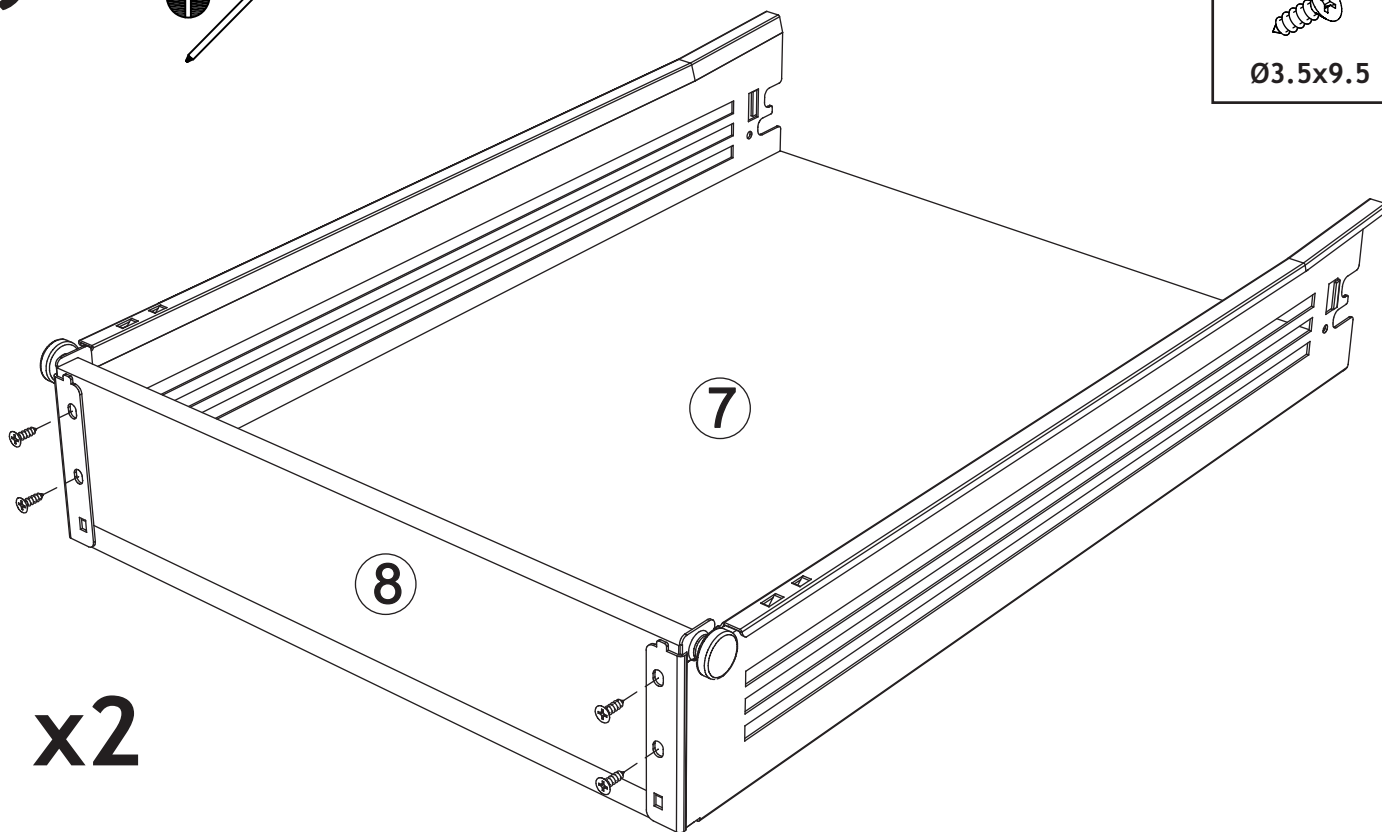
9



F0 x 8



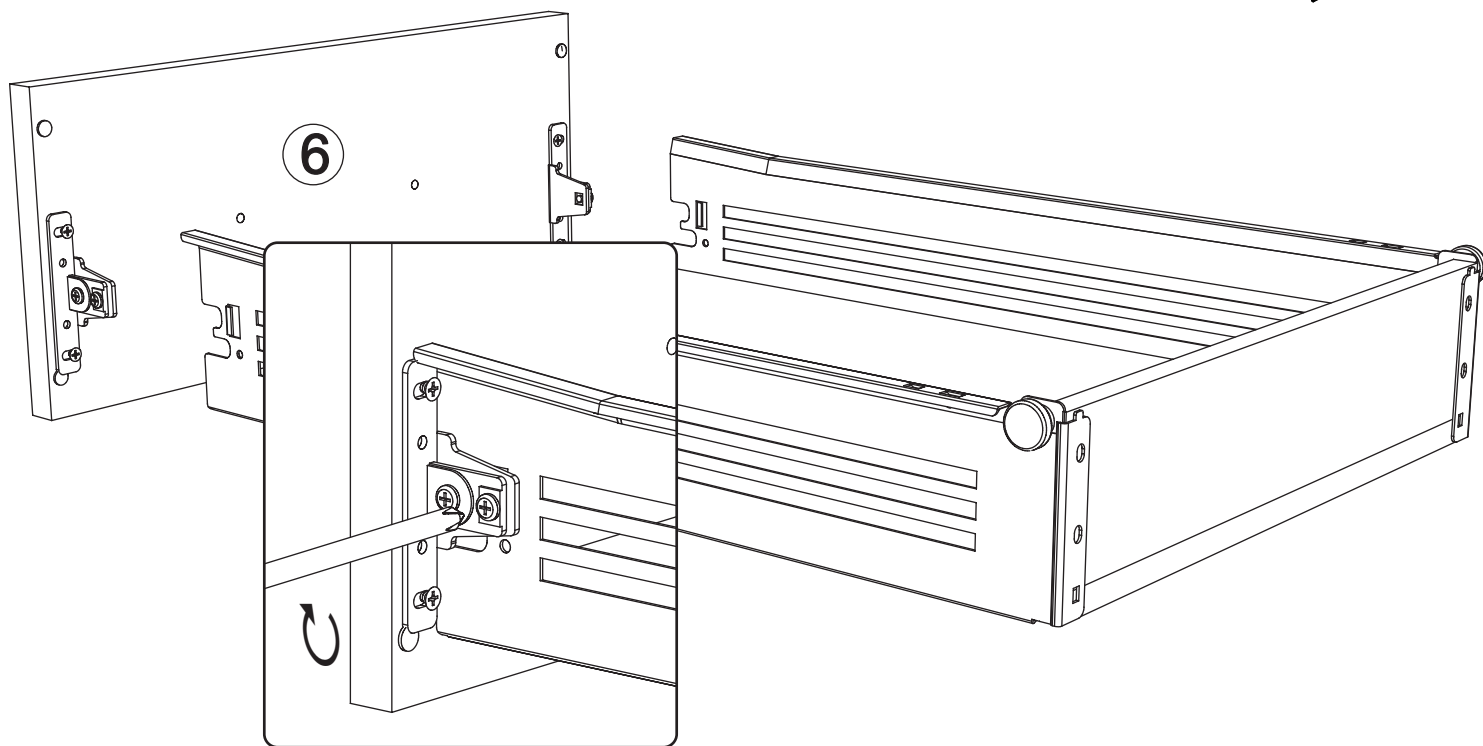
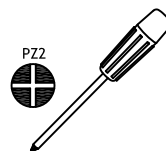
Ø3.5x9.5



x2

10

x2

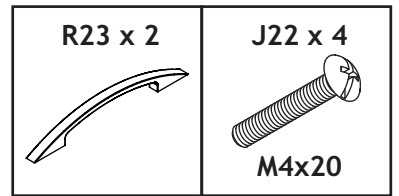


10-2844

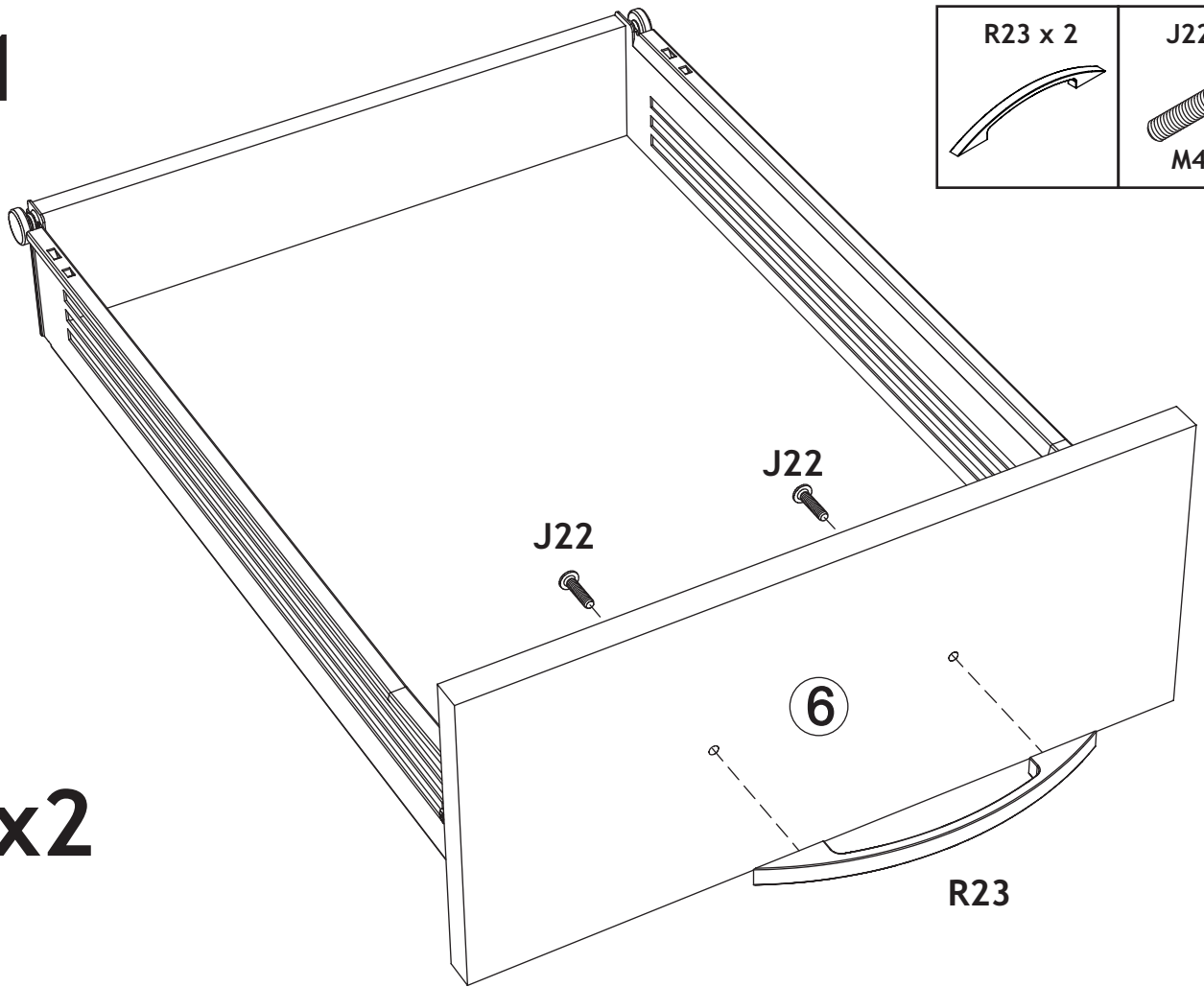
8 - 9

V-3./21.04.2018

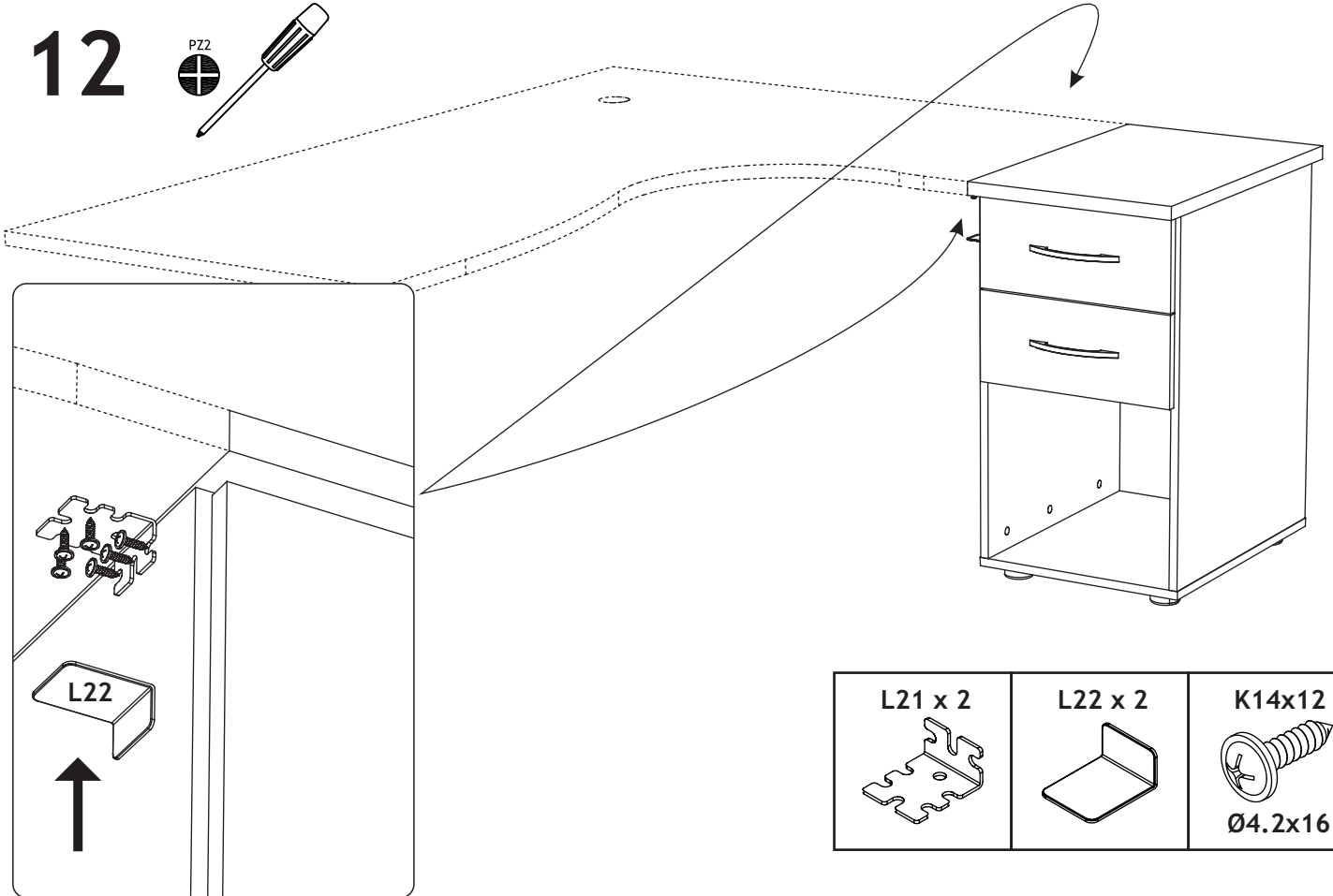
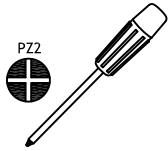
11



x2



12



10-2844

9 - 9

V-3./21.04.2018